



**TRINITY GLASS**  
INTERNATIONAL

33615 1st Way S, Federal Way, WA 98003

**OPAQUE FIBERGLASS  
"IMPACT" DOOR WITH  
"NON-IMPACT" SIDELITE or SIDELITES  
IN SWING / OUTSWING**

GENERAL NOTES

1. This product has been evaluated and is in compliance with the 5th Edition (2014) Florida Building Code (FBC) structural requirements excluding the "High Velocity Hurricane Zone" (HVHZ).
2. Product anchors shall be as listed and spaced as shown on details. Anchor embedment to base material shall be beyond wall dressing or stucco.
3. When used in areas requiring wind borne debris protection the opaque door complies with Section 1609.1.2 of the 2010 FBC and does not need to be protected with an impact resistant covering. This product meets missile level "D" and includes Wind Zone 4 as defined in ASTM E 1996 and Section 1609.1.2.2 of the FBC. The sidelite is req'd to be protected with an impact resistant covering that complies with Section 1609.1.2 of the FBC.
4. For 2x stud framing construction, anchoring of these units shall be the same as that shown for 2x buck masonry construction.
5. Site conditions that deviate from the details of this drawing require further engineering analysis by a licensed engineer or registered architect.

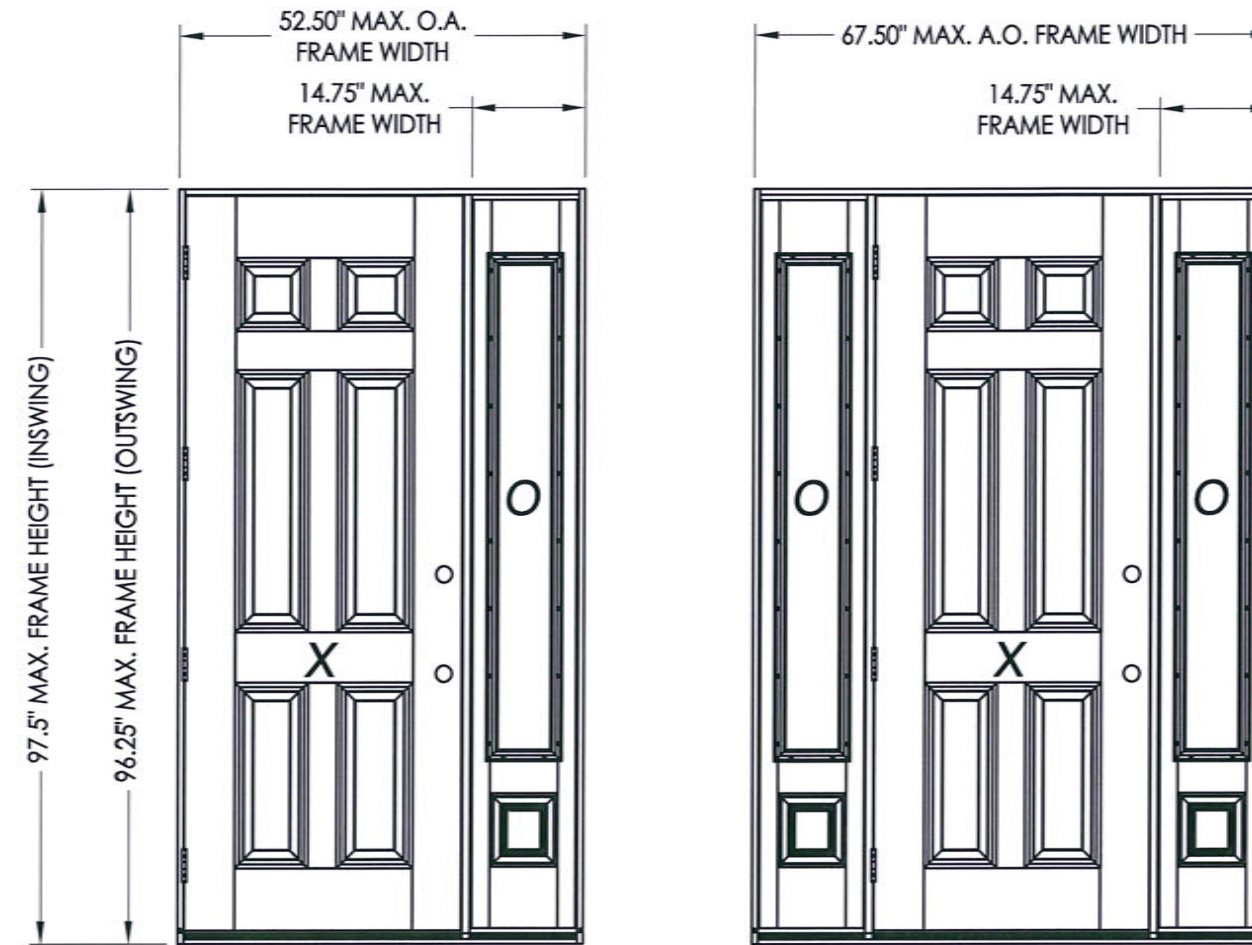
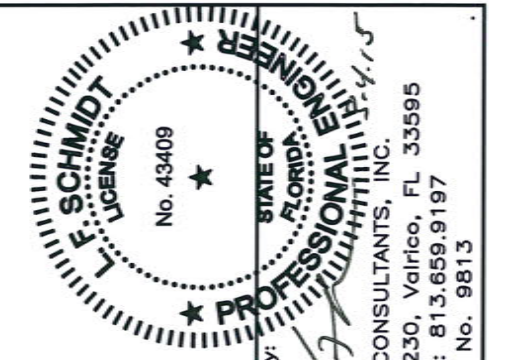


TABLE OF CONTENTS	
SHEET#	DESCRIPTION
1	Typical elevations, design pressures & general notes
2	Door panel details
3	Sidelite panel details
4	Elevations
5	Horizontal cross section
6	Vertical cross sections
7	Vertical cross sections
8	Buck anchoring
9	Frame anchoring
10	Components
11	Bill of materials

*Continuous Head and Sill*

CONFIGURATION	MAX. FRAME DIMENSION	OVERALL D.L.O. DIMENSION	GLASS TYPE	DESIGN PRESSURE (PSF)	
				POSITIVE	NEGATIVE
OX / XO	52.5" x 97.5"	6.87" x 62.75"	G1	+ 47.0	- 47.0
OXO	67.5" x 97.5"	6.87" x 62.75"	G1	+ 47.0	- 47.0



Documents Prepared By:  
Lyndon F. Schmidt  
P.E. No. 43409

*RW*  
BUILDING CONSULTANTS, INC.  
P.O. Box 230, Valrico, FL 33595  
Phone No.: 813.659.9197  
FBPE C.A. No. 9813

PRODUCT: TRINITY GLASS INT'L

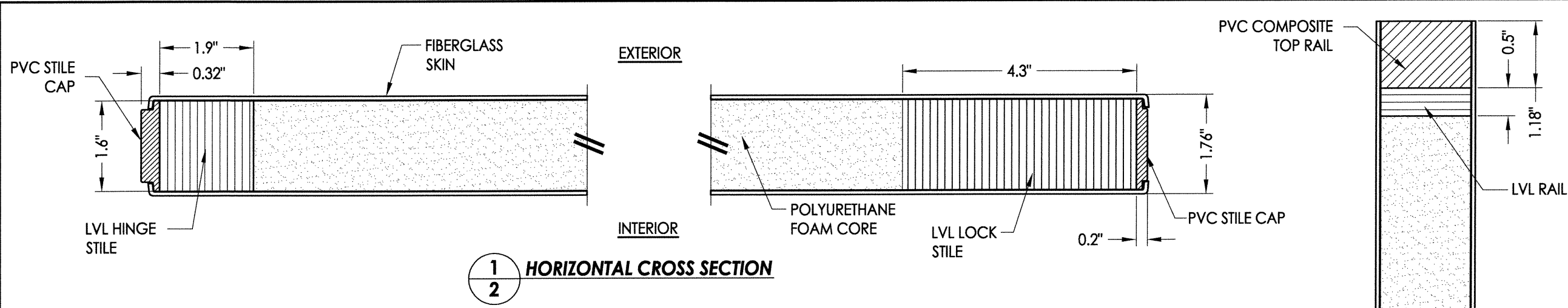
PART OR ASSEMBLY:  
TYPICAL ELEVATION, DESIGN PRESSURES & GENERAL NOTES

NO.	DATE	REVISIONS
1	03/02/15	UPDATE TO 5TH ED. (2014) FBC

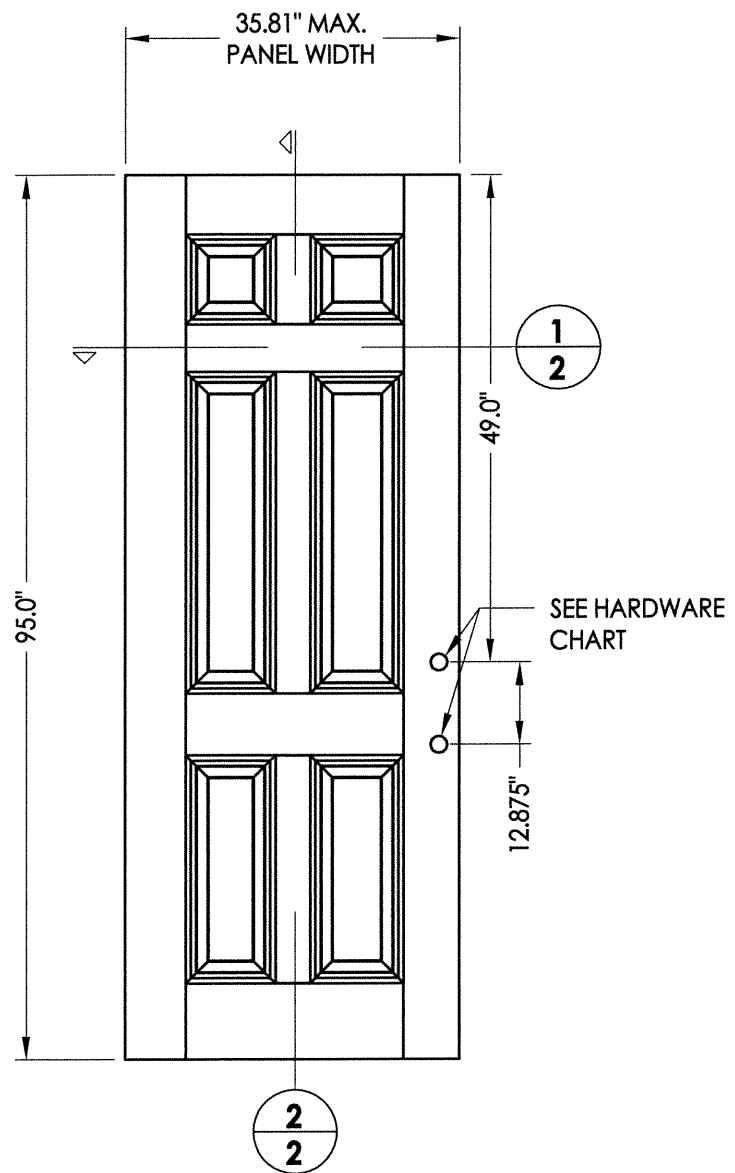
DATE: 1/18/12  
SCALE: N.T.S.  
DWG. BY: JK  
CHK. BY: LFS  
DRAWING NO.: FL-15129.14  
SHEET 1 OF 11

R:\Clients\Trinity PERMANENT\Florida Product Approvals\FL-15129\Drawings\Current\FL-15129.13-20.dwg, FL-15129.14

R:\Clients\Trinity PERMANENT\Florida Product Approvals\FL-15129\Drawings\Current\FL-15129.13-20.dwg, 2.14



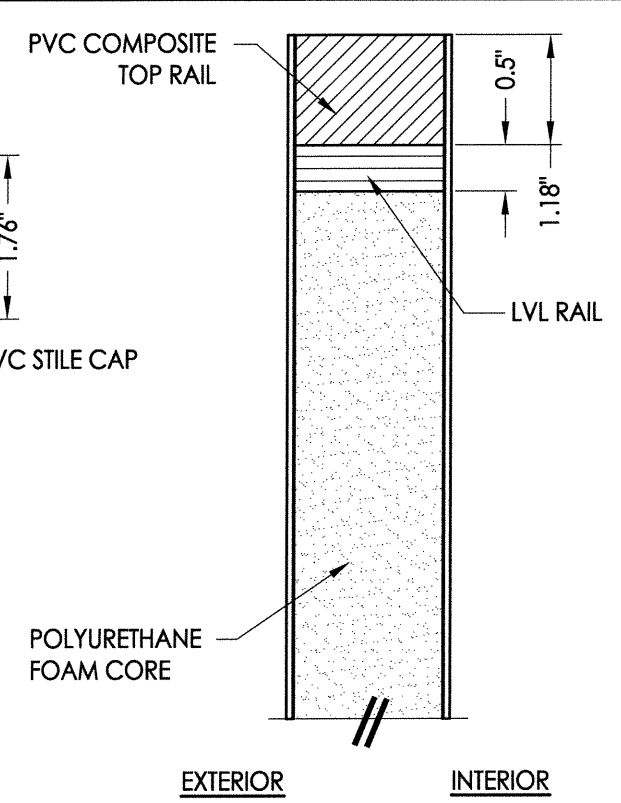
**1**  
**2** HORIZONTAL CROSS SECTION



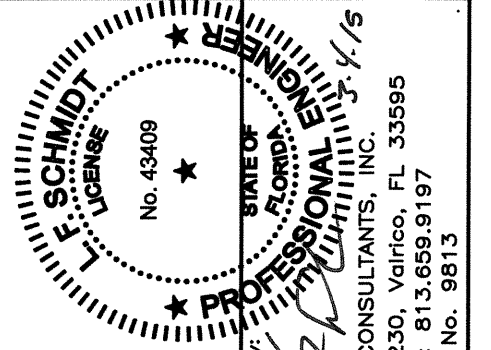
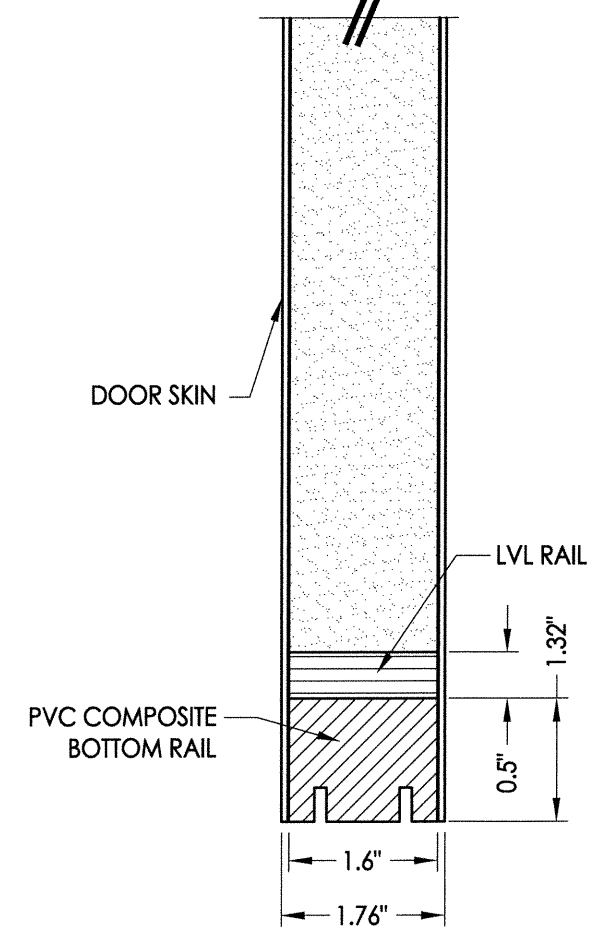
**40** PREMIUM OPAQUE DOOR "IMPACT"

DOOR SKIN: 0.079" MIN. THK. FIBERGLASS  
CORE MATERIAL: POLYURETHANE FOAM

HARDWARE CHART	
MANUFACTURER	MODEL
KWIKSET	KNOB: SIGNATURE SERIES DEADBOLT: SIGNATURE SERIES (980)



**2**  
**2** VERTICAL CROSS SECTION



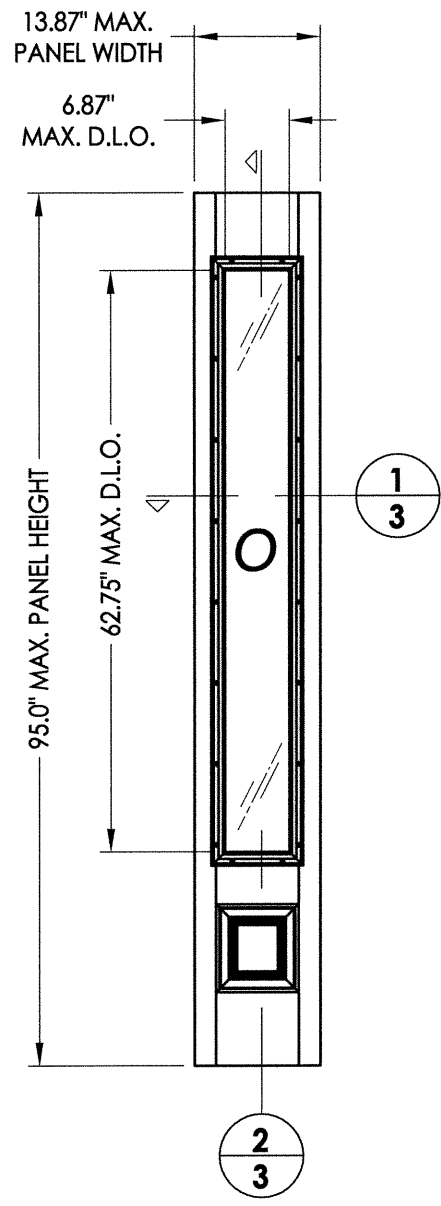
Documents Prepared By:  
Lyndon F. Schmidt  
P.E. No. 43409  
R.W. BUILDING CONSULTANTS, INC.  
P.O. Box 230, Valrico, FL 33595  
Phone No.: 813.659.9197  
FBPE C.A. No. 9813

PRODUCT: TRINITY GLASS INT'L  
PART OR ASSEMBLY: DOOR PANEL DETAILS

NO.	DATE	REVISIONS
1	03/02/15	UPDATE TO 5TH ED. (2014) FBC
JK		
BY		

DATE: 1/18/12  
SCALE: N.T.S.  
DWG. BY: JK  
CHK. BY: LFS  
DRAWING NO.: FL-15129.14  
SHEET 2 OF 11

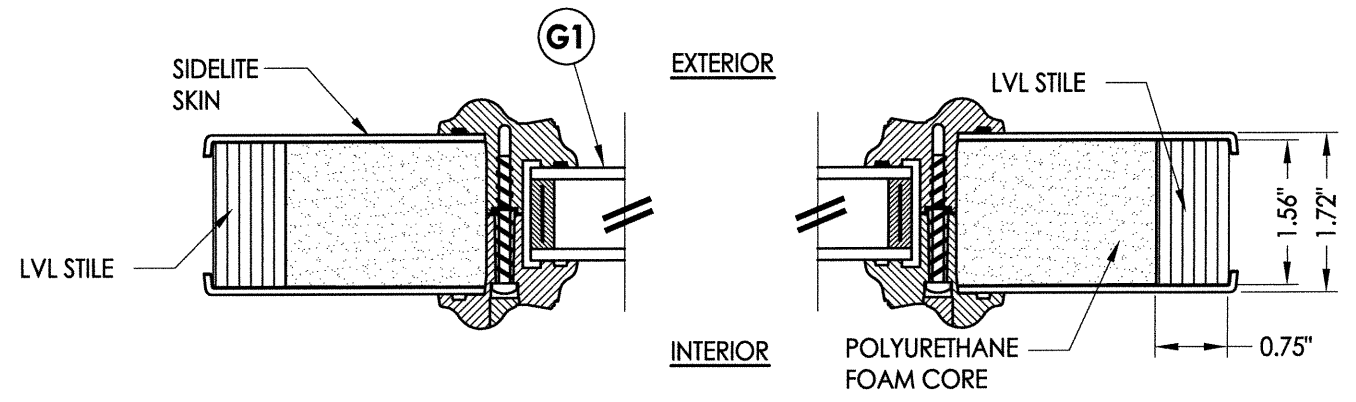
R:\Clients\Trinity PERMANENT\Florida Product Approvals\FL-15129\Drawings\Current\FL-15129.13-20.dwg, 3.14



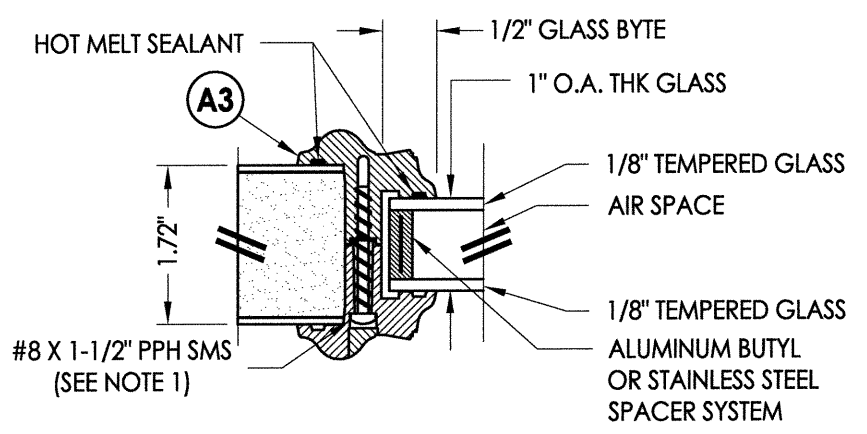
**41 FIBERGLASS SIDELITE**  
"NON-IMPACT"

NOTE:  
1. Spacing for lite frame screw is as follows:  
Top and Bottom: 2" from each corner (2 total)  
Sides: 2" from each corner and equally spaced thereafter (8 total)

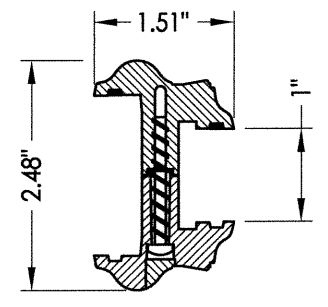
DOOR SKIN: 0.079" MIN. THK. FIBERGLASS  
CORE MATERIAL: POLYURETHANE FOAM



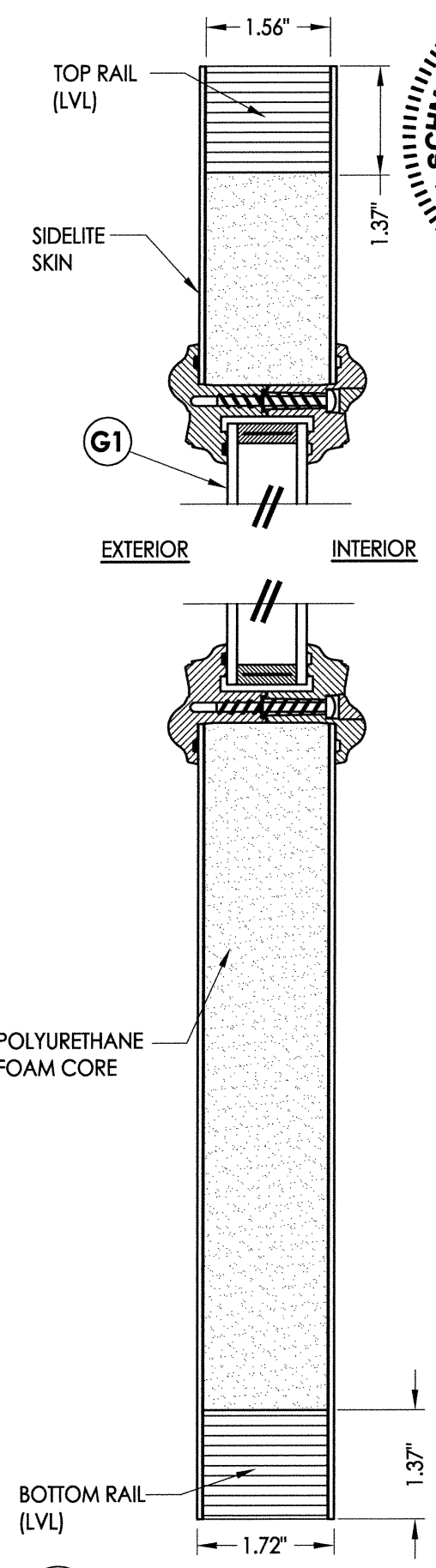
**1 HORIZONTAL CROSS SECTION**



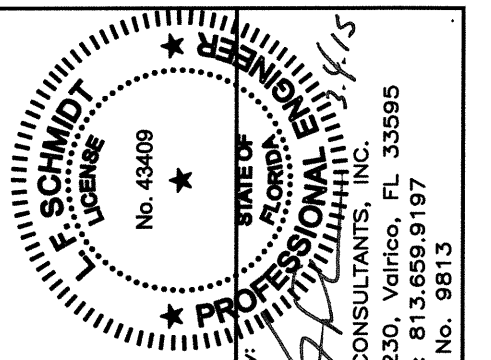
**G1 GLAZING DETAIL**  
Lip Lite Frame



**A3 LIP LITE FRAME**  
ABS or PC/ASA



**2 VERTICAL CROSS SECTION**

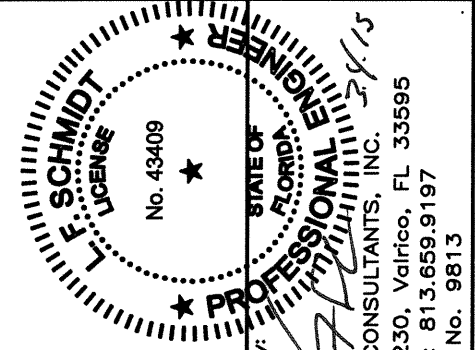
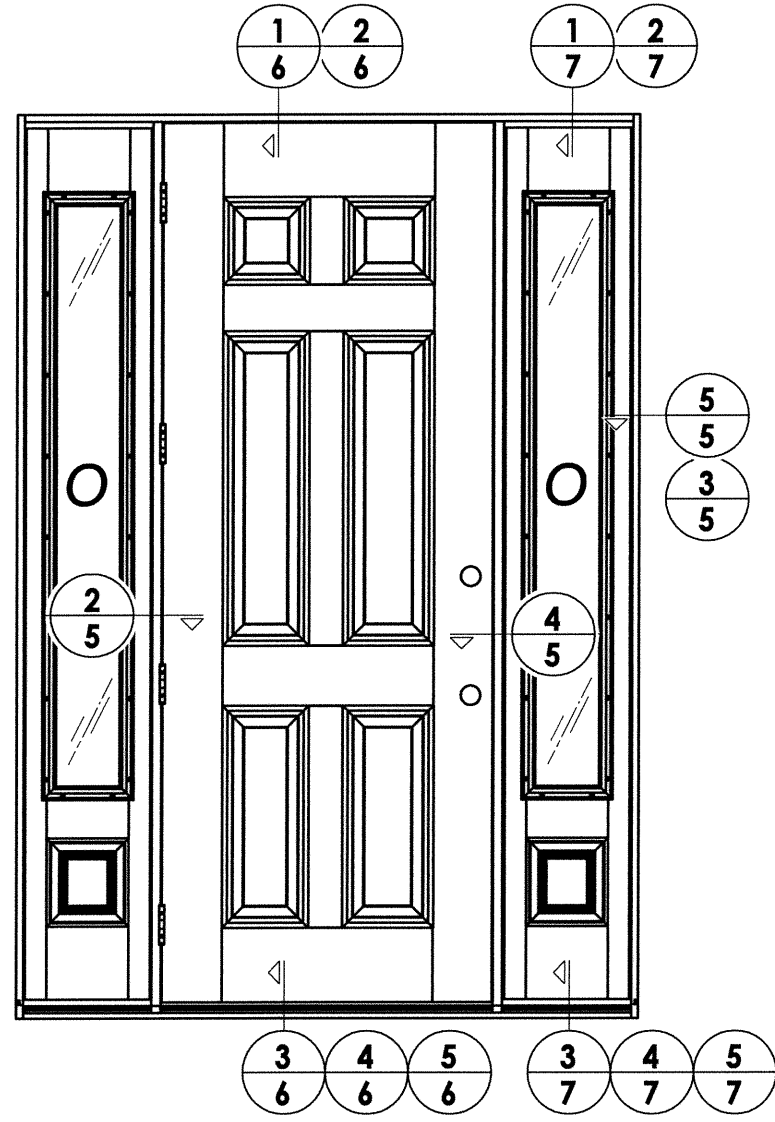
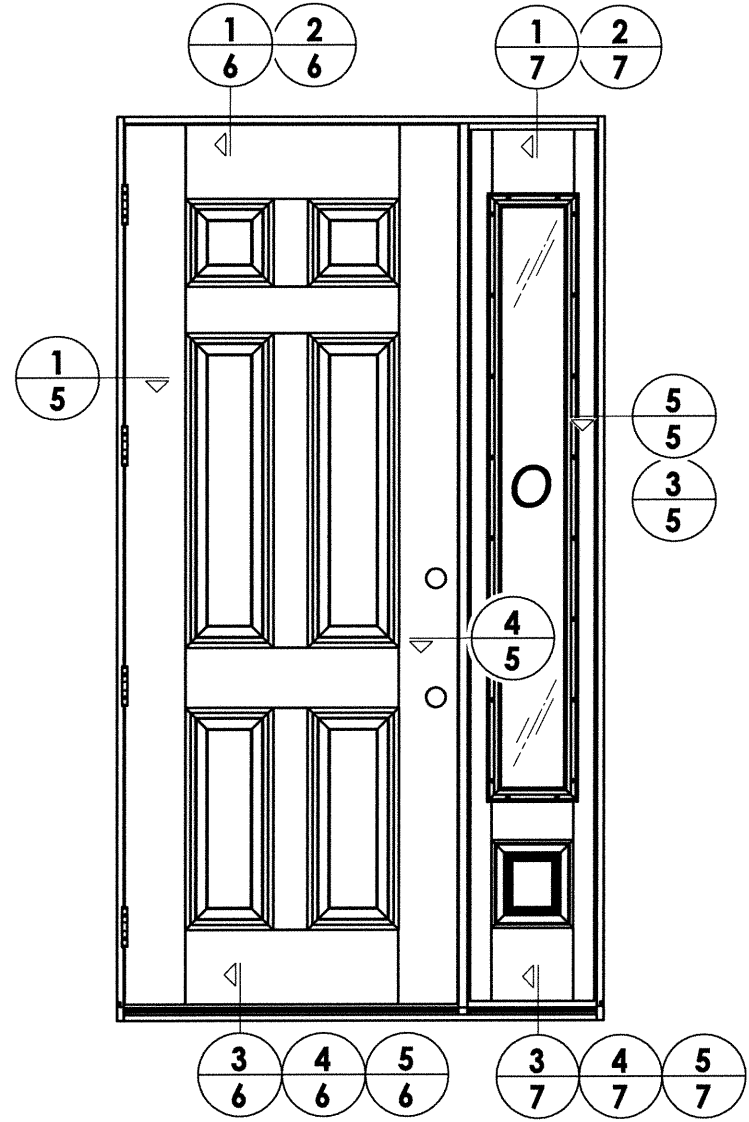


Documents Prepared By:  
Lyndon F. Schmidt  
P.E. No. 43409  
R.W.  
BUILDING CONSULTANTS, INC.  
P.O. Box 230, Valrico, FL 33595  
Phone No.: 813.659.9197  
FBPE C.A. No. 9813

PRODUCT:	TRINITY GLASS INT'L
PART OR ASSEMBLY:	SIDELITE PANEL DETAILS
DATE:	1/18/12
SCALE:	N.T.S.
DWG. BY:	JK
CHK. BY:	LFS
DRAWING NO.:	FL-15129.14
SHEET	3 OF 11

© 2012 R.W. BUILDING CONSULTANTS INC.



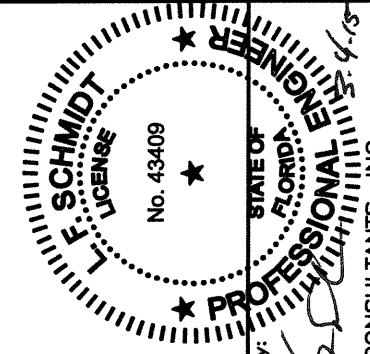


Documents Prepared By:  
 Lyndon F. Schmidt  
 P.E. No. 43409  
 R.W.  
 BUILDING CONSULTANTS, INC.  
 P.O. Box 230, Valrico, FL 33595  
 Phone No.: 813.659.9197  
 FBPE C.A. No. 9813

PRODUCT: TRINITY GLASS INT'L  
 PART OR ASSEMBLY: ELEVATIONS

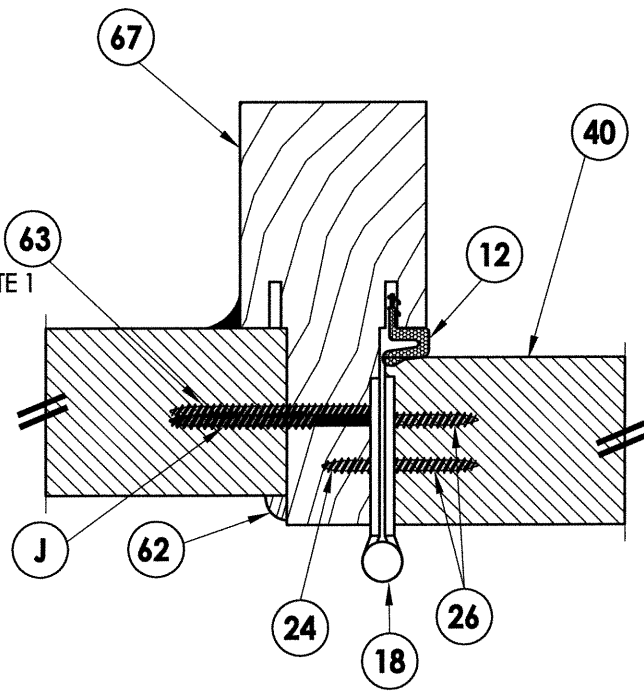
NO.	DATE	REVISIONS	JK	BY
1	03/02/15	UPDATE TO 5TH ED. (2014) FBC	JK	BY

DATE: 1/18/12  
 SCALE: N.T.S.  
 DWG. BY: JK  
 CHK. BY: LFS  
 DRAWING NO.: FL-15129.14  
 SHEET 4 OF 11

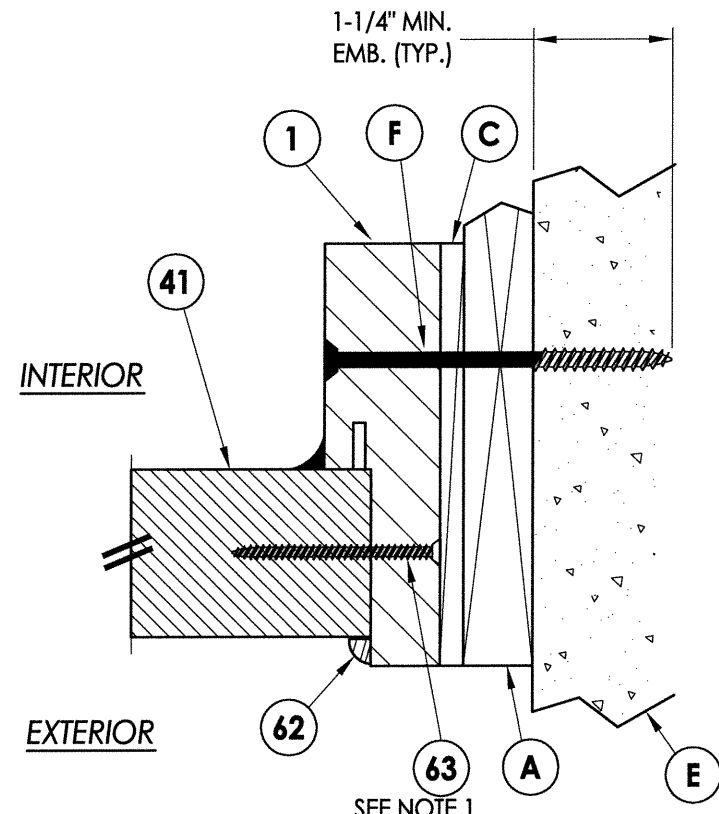


Documents Prepared By:  
 Lyndon F. Schmidt  
 P.E. No. 43409

R.W.  
 BUILDING CONSULTANTS, INC.  
 P.O. Box 230, Valrico, FL 33595  
 Phone No.: 813.659.9197  
 FBPE C.A. No. 9813

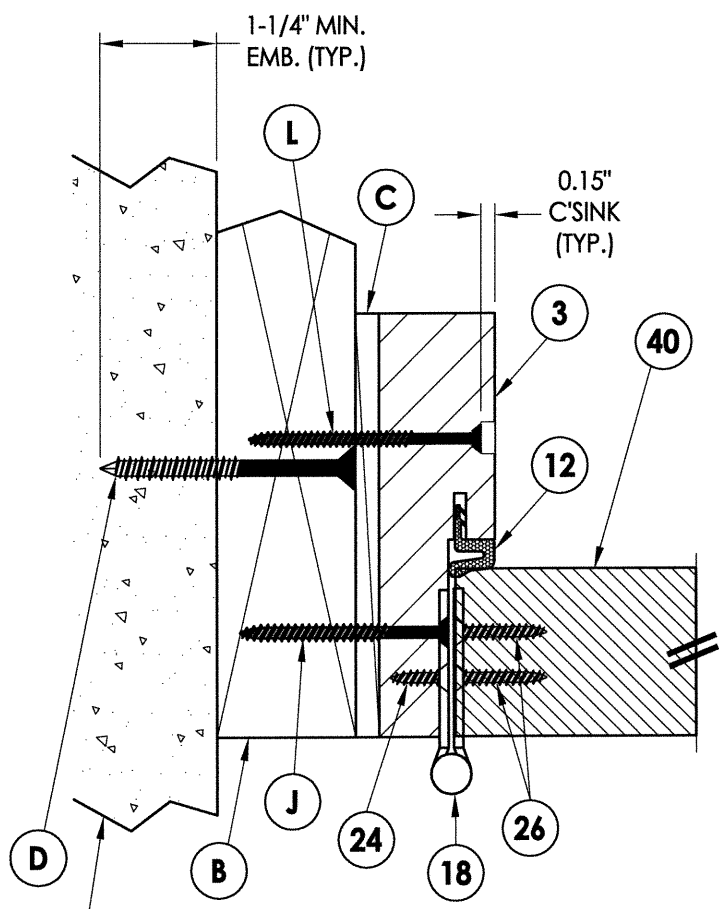


**2 HORIZONTAL CROSS SECTION**  
**5** Outswing shown - Inswing also approved

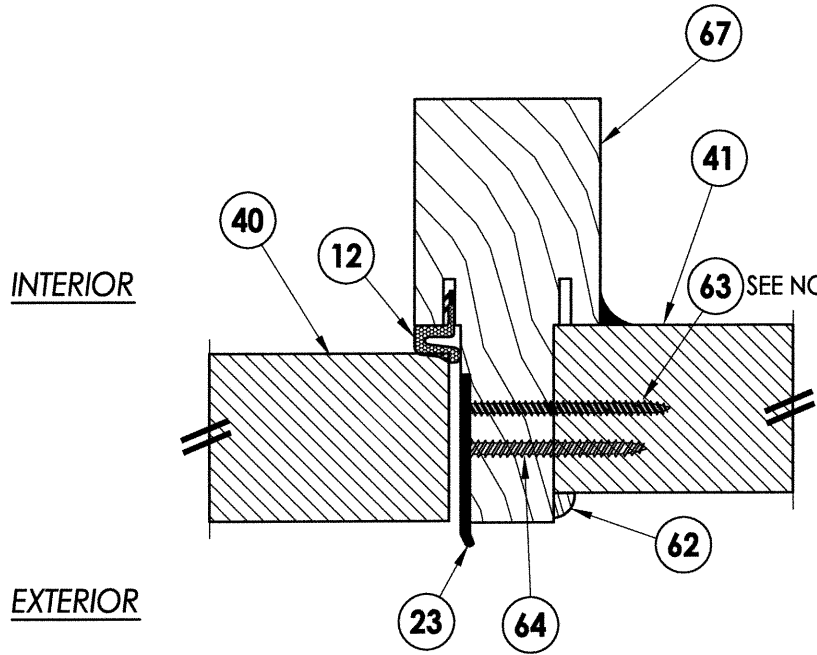


**3 HORIZONTAL CROSS SECTION**  
**5** Shown w/1X sub-buck

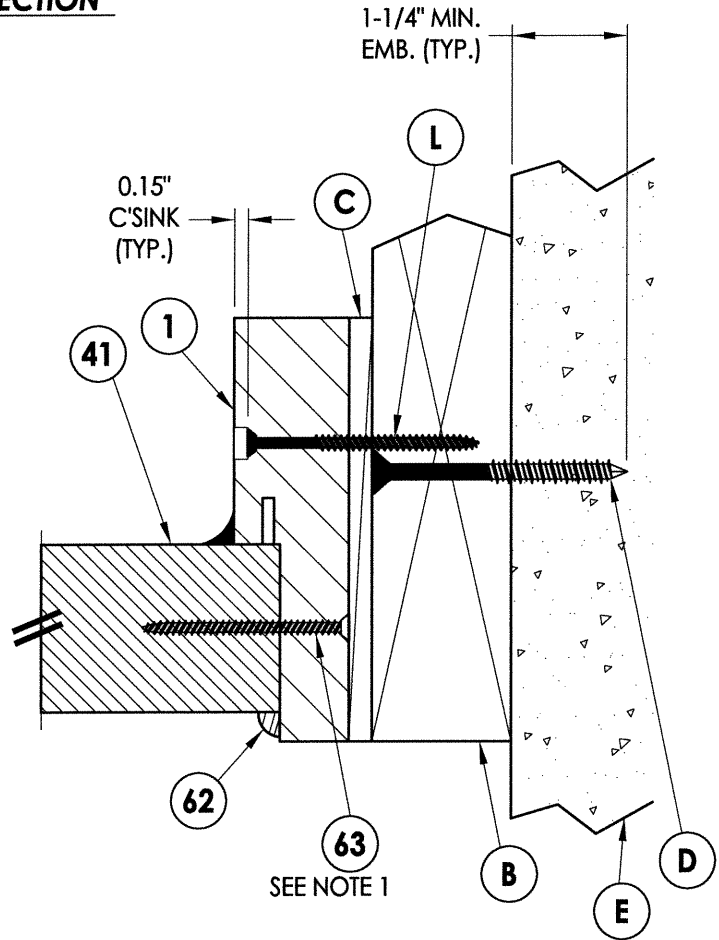
NOTE:  
 1. Item #63 - #8 x 2-1/4" PFH screws thru jamb into sidelite located @ 6", 27", 50-1/4", & 72-1/8" from top of frame typ. both side jambs.



**1 HORIZONTAL CROSS SECTION**  
**5** Outswing shown - Inswing also approved



**4 HORIZONTAL CROSS SECTION**  
**5** Outswing shown - Inswing also approved

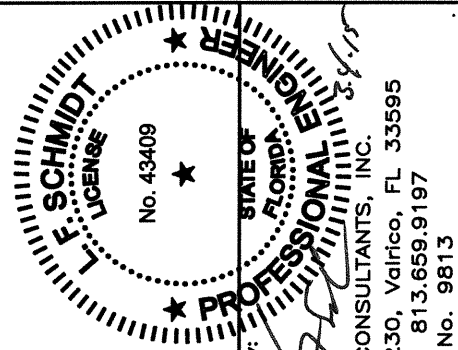


**5 HORIZONTAL CROSS SECTION**  
**5** Outswing shown - Inswing also approved

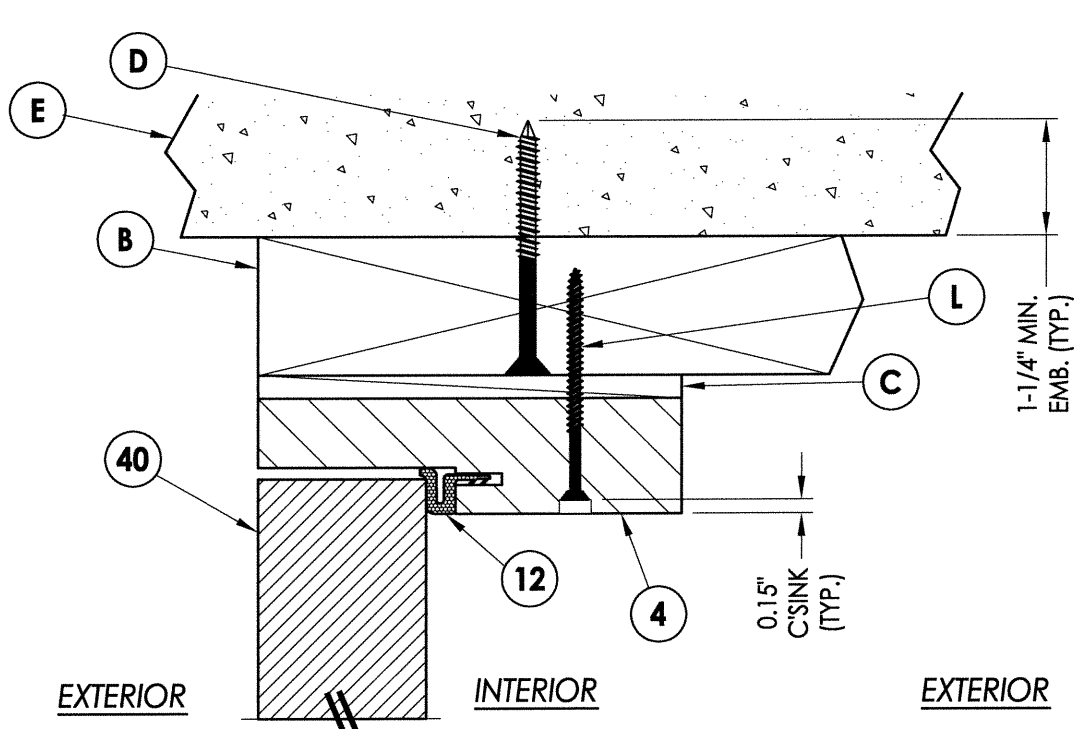
PRODUCT:	TRINITY GLASS INT'L
PART OR ASSEMBLY:	HORIZONTAL CROSS SECTIONS
DATE:	1/18/12
SCALE:	N.T.S.
DWG. BY:	JK
CHK. BY:	LFS
DRAWING NO.:	FL-15129.14
SHEET	5 OF 11

NO.	DATE	BY	REVISIONS
1	03/02/15	JK	UPDATE TO 5TH ED. (2014) FBC

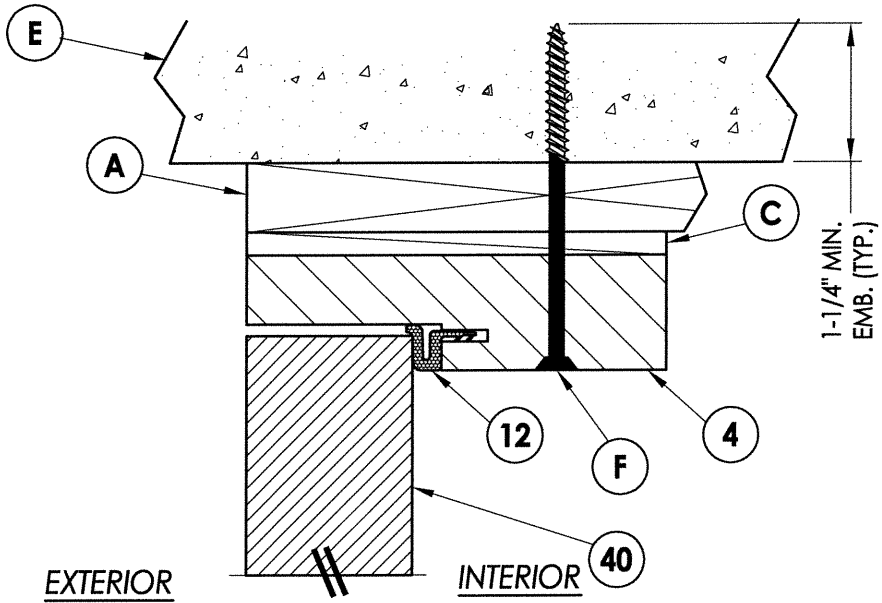
R:\Clients\Trinity PERMANENT\Florida Product Approvals\FL-15129\Drawings\Current\FL-15129.13-20.dwg, 6.14



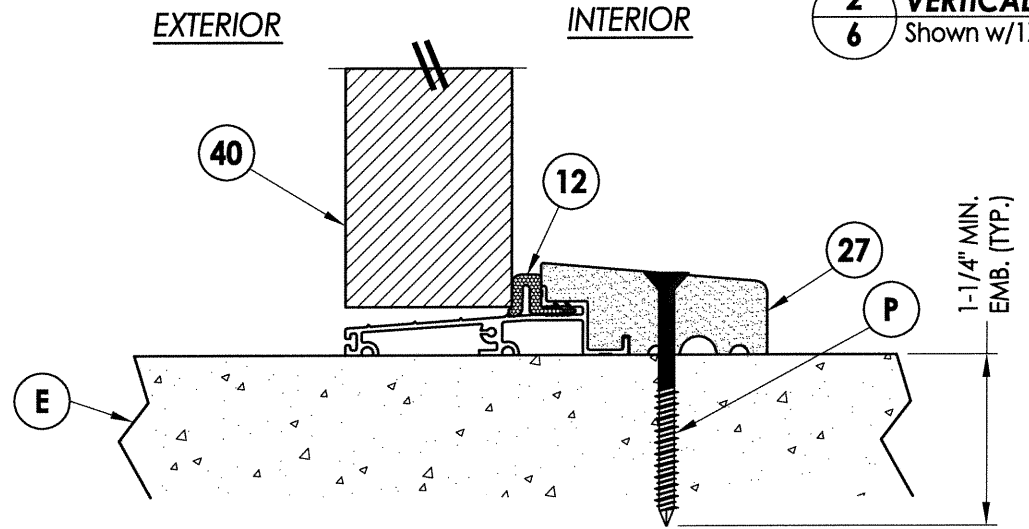
Documents Prepared By:  
 Lyndon F. Schmidt  
 P.E. No. 43409  
 R.W. BUILDING CONSULTANTS, INC.  
 P.O. Box 230, Valrico, FL 33595  
 Phone No.: 813.659.9197  
 FBPE C.A. No. 9813



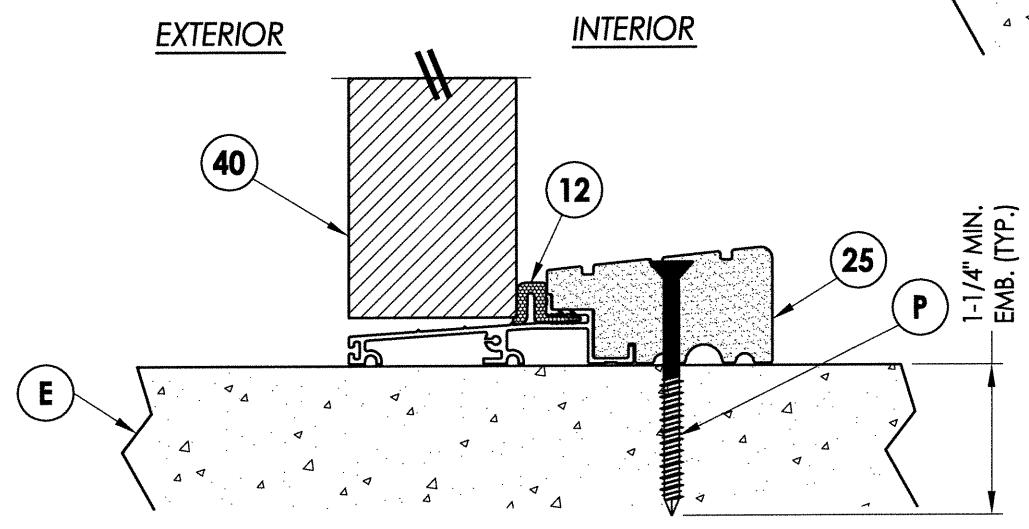
**1** VERTICAL CROSS SECTION  
**6** Outswing shown  
 Inswing also approved



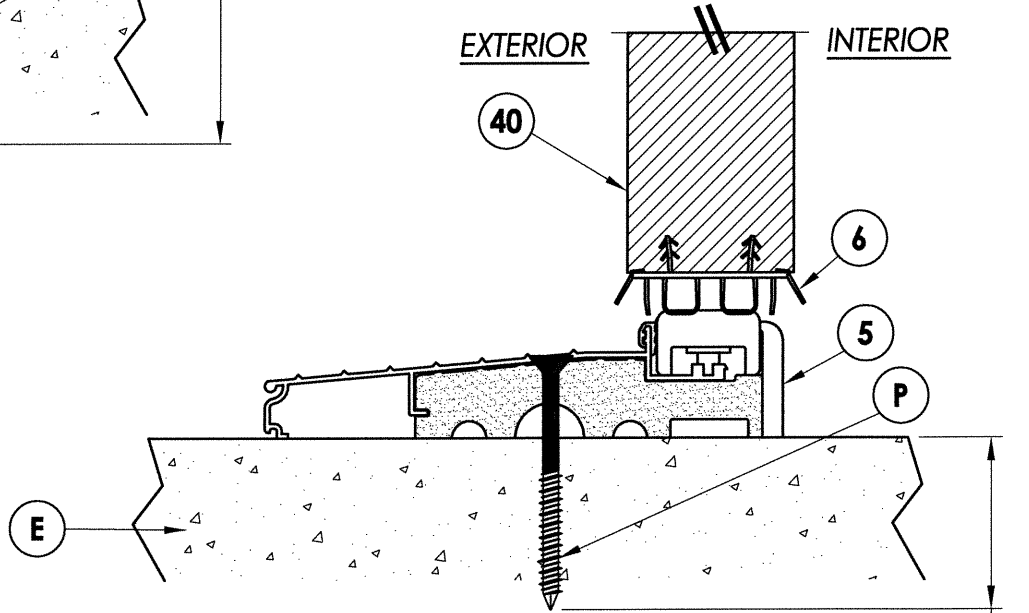
**2** VERTICAL CROSS SECTION  
**6** Shown w/1X sub-buck



**4** VERTICAL CROSS SECTION  
**6** Outswing sill



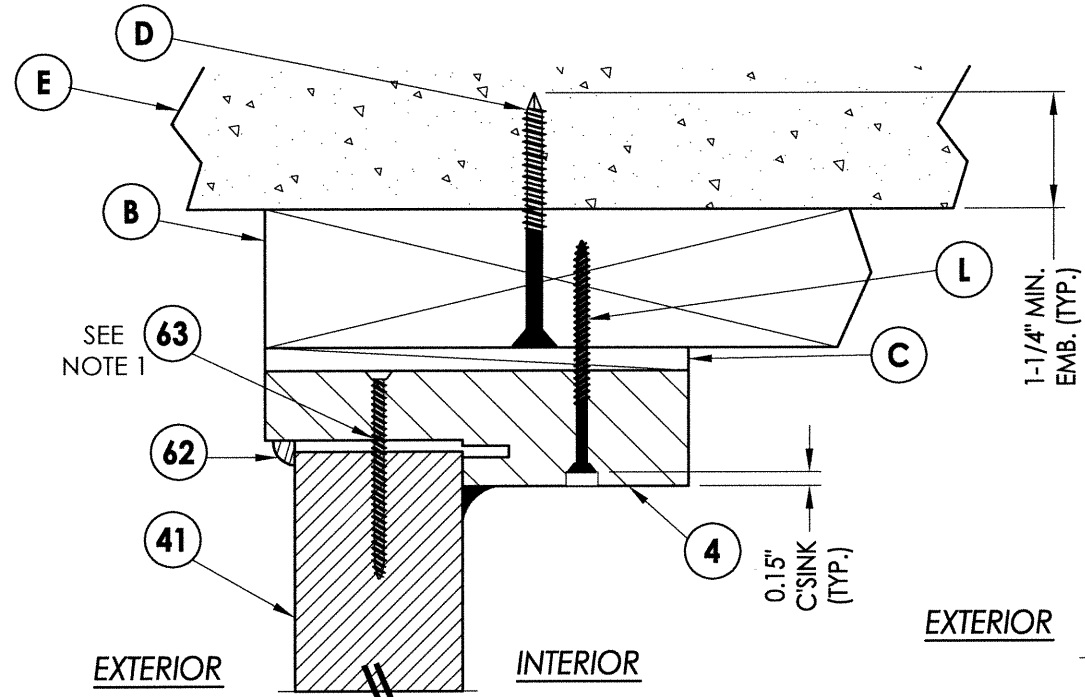
**3** VERTICAL CROSS SECTION  
**6** Outswing sill - high dam



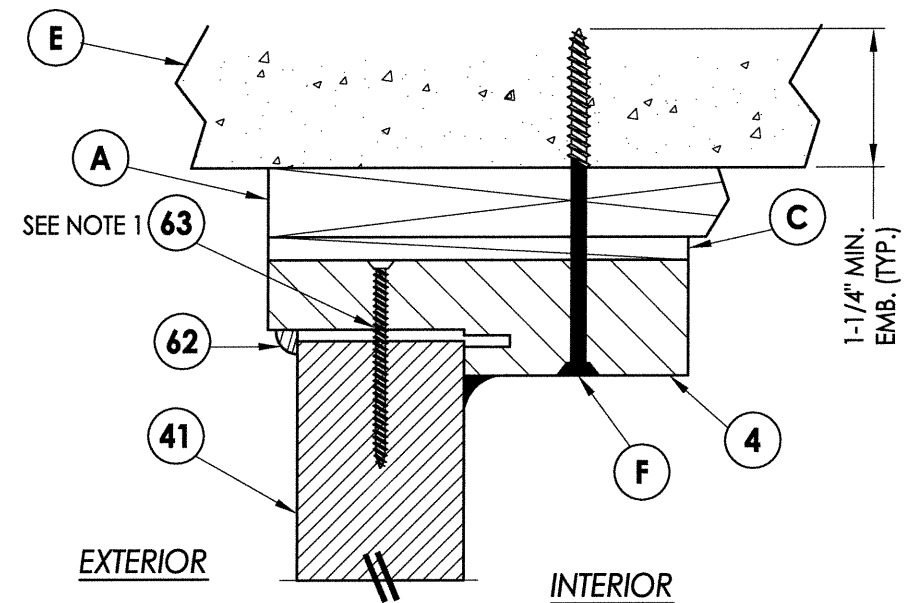
**5** VERTICAL CROSS SECTION  
**6** Inswing sill

PRODUCT:	TRINITY GLASS INT'L	
PART OR ASSEMBLY:	VERTICAL CROSS SECTIONS	
DATE:	1/18/12	
SCALE:	N.T.S.	
DWG. BY:	JK	
CHK. BY:	LFS	
DRAWING NO.:	FL-15129.14	
SHEET	6 OF 11	
NO.	DATE	BY
1	03/02/15	JK
REVISIONS		

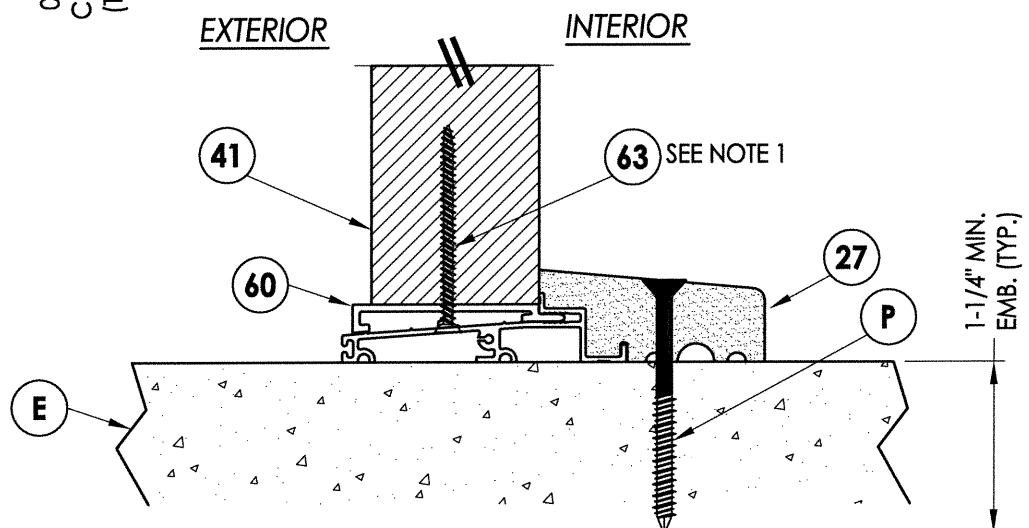
R:\Clients\Trinity PERMANENT\Florida Product Approvals\FL-15129\Drawings\Current\FL-15129.13-20.dwg, 7.14



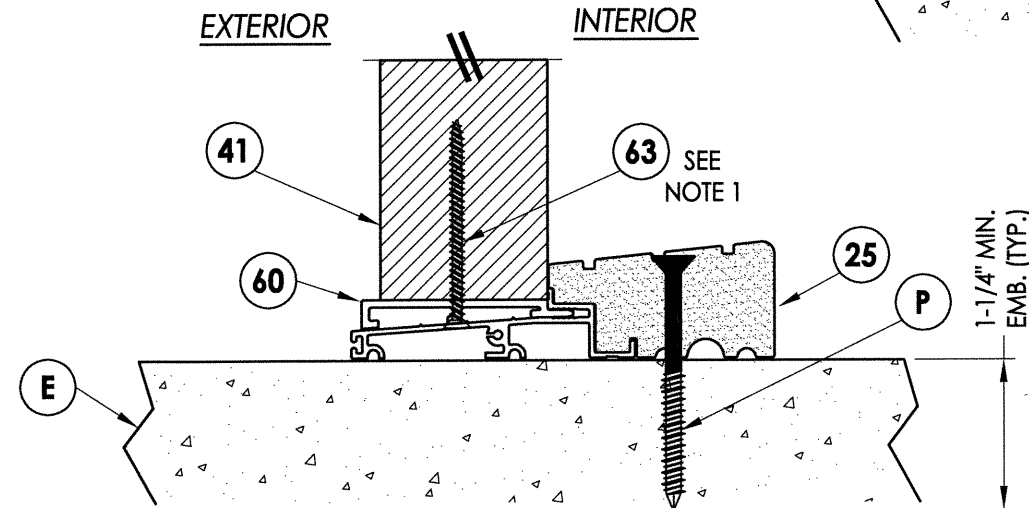
**1** VERTICAL CROSS SECTION  
**7**



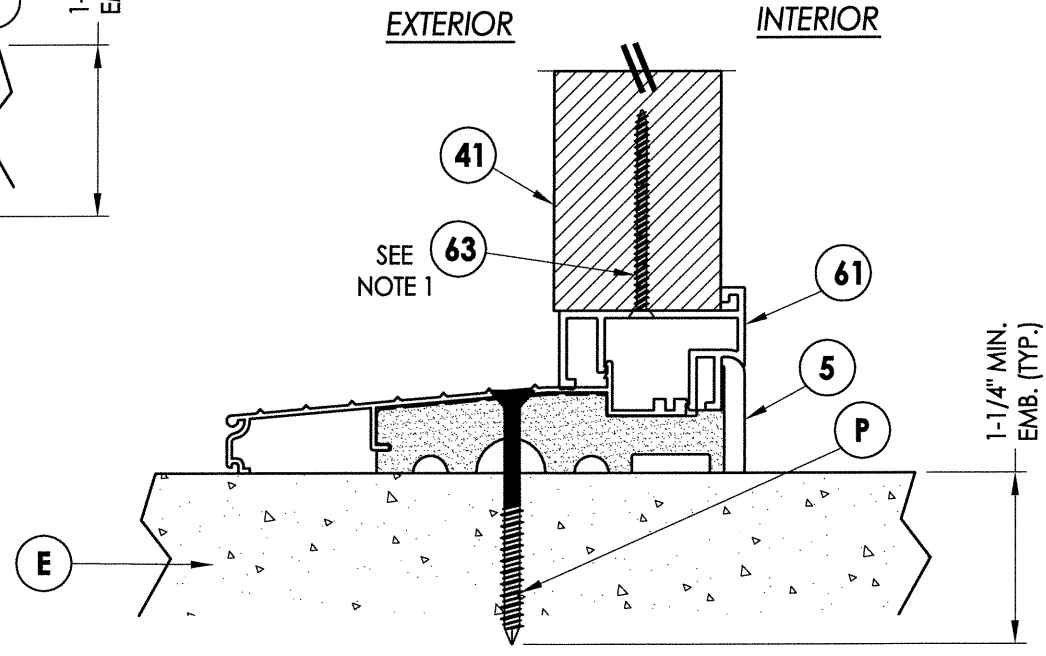
**2** VERTICAL CROSS SECTION  
**7** Shown w/1X sub-buck



**4** VERTICAL CROSS SECTION  
**7** Outswing sill

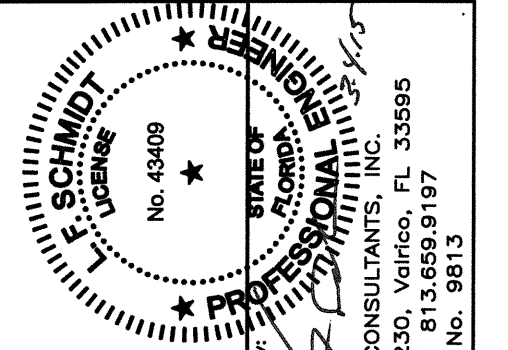


**3** VERTICAL CROSS SECTION  
**7** Outswing sill - high dam



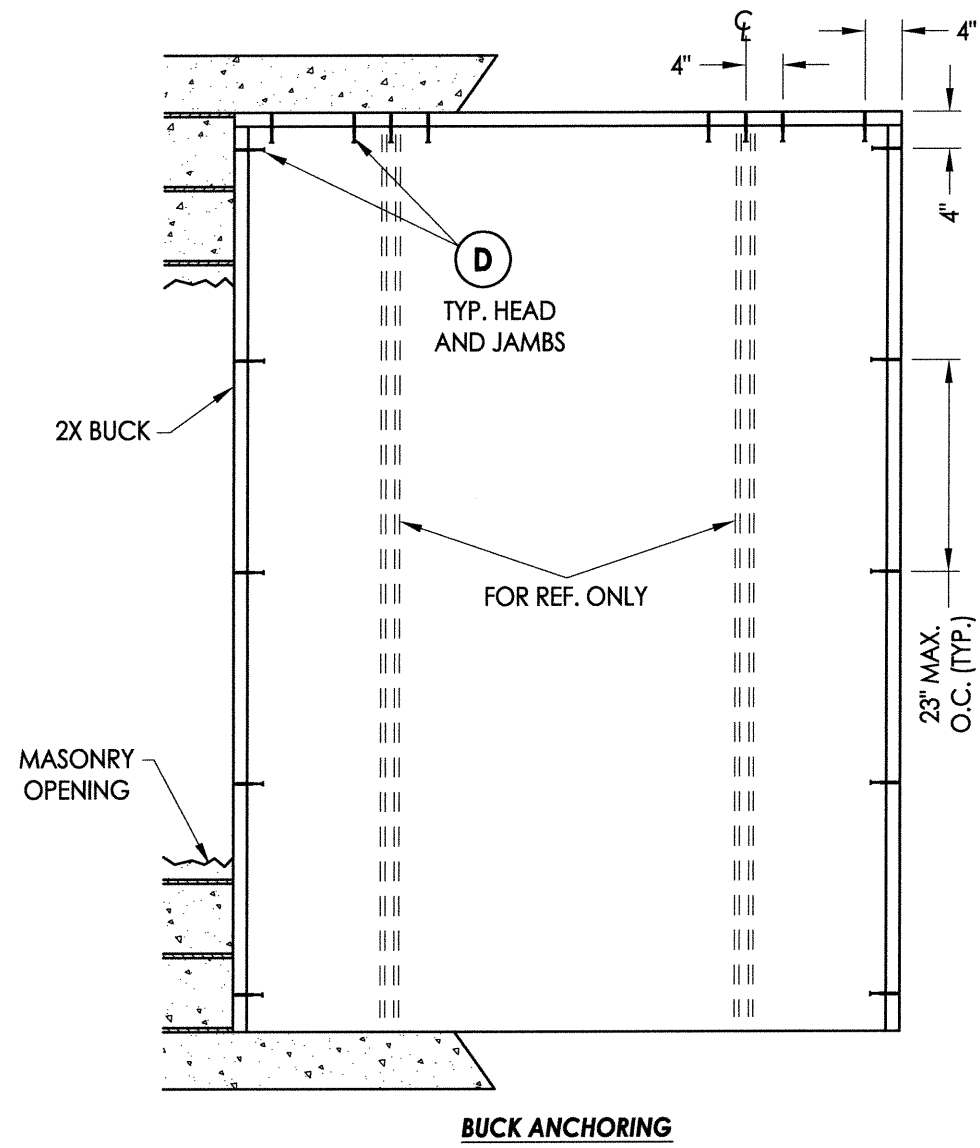
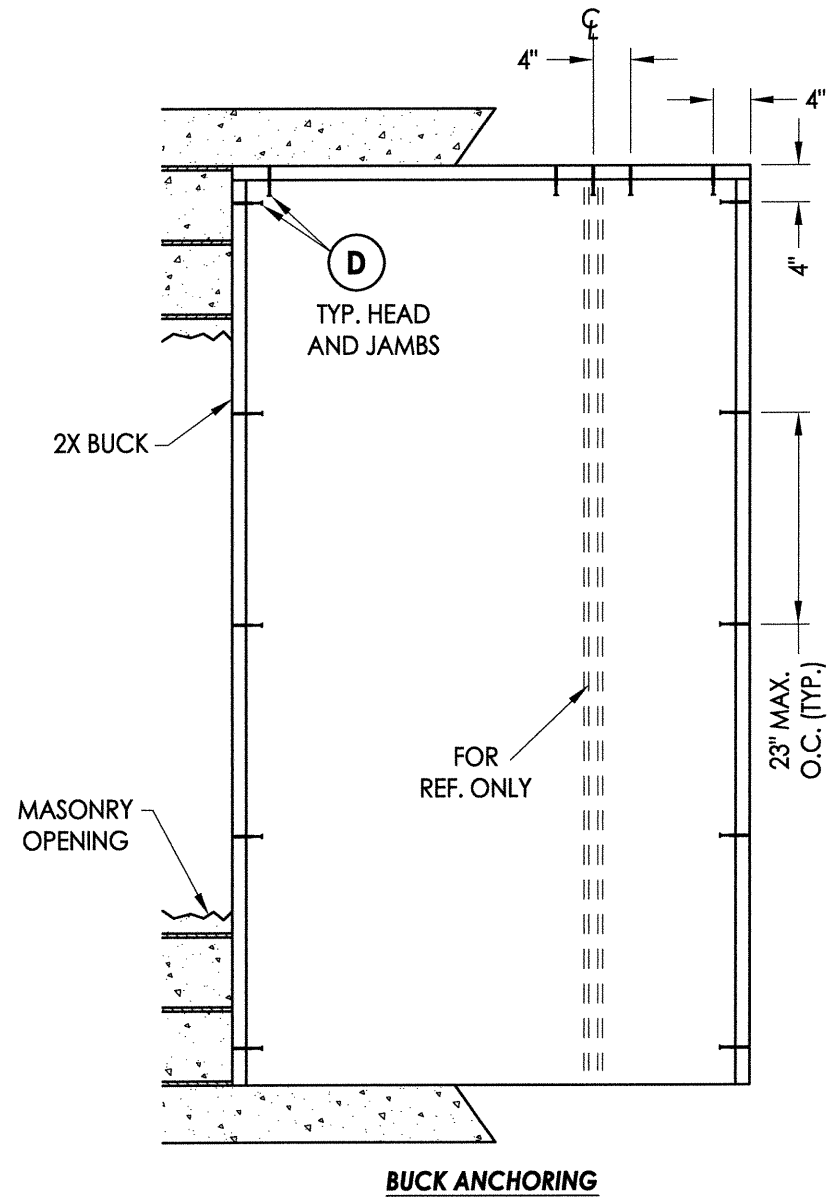
**5** VERTICAL CROSS SECTION  
**7** Inswing sill

NOTE:  
1. Screws thru head and sill jamb located 3" from each end and O.C. (TYP.) line.



Documents Prepared By:  
Lyndon F. Schmidt  
P.E. No. 43409  
R.W.  
BUILDING CONSULTANTS, INC.  
P.O. Box 230, Vairco, FL 33595  
Phone No.: 813.659.9197  
FBPE C.A. No. 9813

PRODUCT:	TRINITY GLASS INT'L	
PART OR ASSEMBLY:	VERTICAL CROSS SECTIONS	
DATE:	1/18/12	
SCALE:	N.T.S.	
DWG. BY:	JK	
CHK. BY:	LFS	
DRAWING NO.:	FL-15129.14	
SHEET	7 OF 11	
NO.	DATE	REVISIONS
1	03/02/15	UPDATE TO 5TH ED. (2014) FBC
JK		
BY		



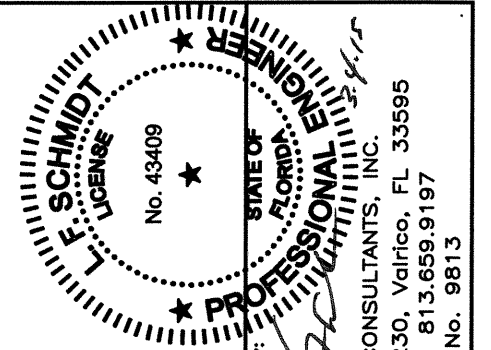
**CONCRETE ANCHOR NOTES:**

1. Concrete anchor locations at the corners may be adjusted to maintain the min. edge distance to mortar joints.
2. Concrete anchor locations noted as "MAX. ON CENTER" must be adjusted to maintain the min. edge distance to mortar joints, additional concrete anchors may be required to ensure the "MAX. ON CENTER" dimension are not exceeded.
3. Concrete anchor table:

ANCHOR TYPE	ANCHOR SIZE	MIN. EMBEDMENT	MIN. CLEARANCE TO MASONRY EDGE	MIN. CLEARANCE TO ADJACENT ANCHOR
ITW BUILDEX TAPCON®	1/4"	1-1/4"	2"	4"
ELCO ULTRACON®	1/4"	1-1/4"	1"	4"

**WOOD SCREW INSTALLATION NOTES:**

1. Maintain a minimum 5/8" edge distance, 1" end distance, & 1" o.c. spacing of wood screws to prevent the splitting of wood.



Documents Prepared By:  
 Lyndon F. Schmidt  
 P.E. No. 43409

*RW* BUILDING CONSULTANTS, INC.  
 P.O. Box 230, Valrico, FL 33595  
 Phone No.: 813.659.9197  
 FBPE C.A. No. 9813

PRODUCT: TRINITY GLASS INT'L

PART OR ASSEMBLY: BUCK ANCHORING

NO.	DATE	BY
1	03/02/15	JK
UPDATE TO 5TH ED. (2014) FBC		

DATE: 1/18/12

SCALE: N.T.S.

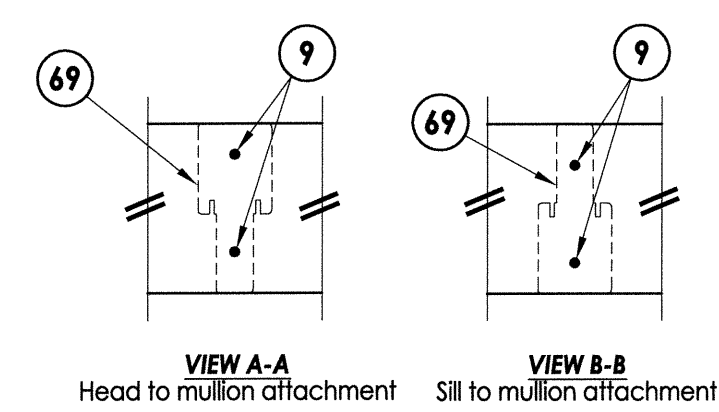
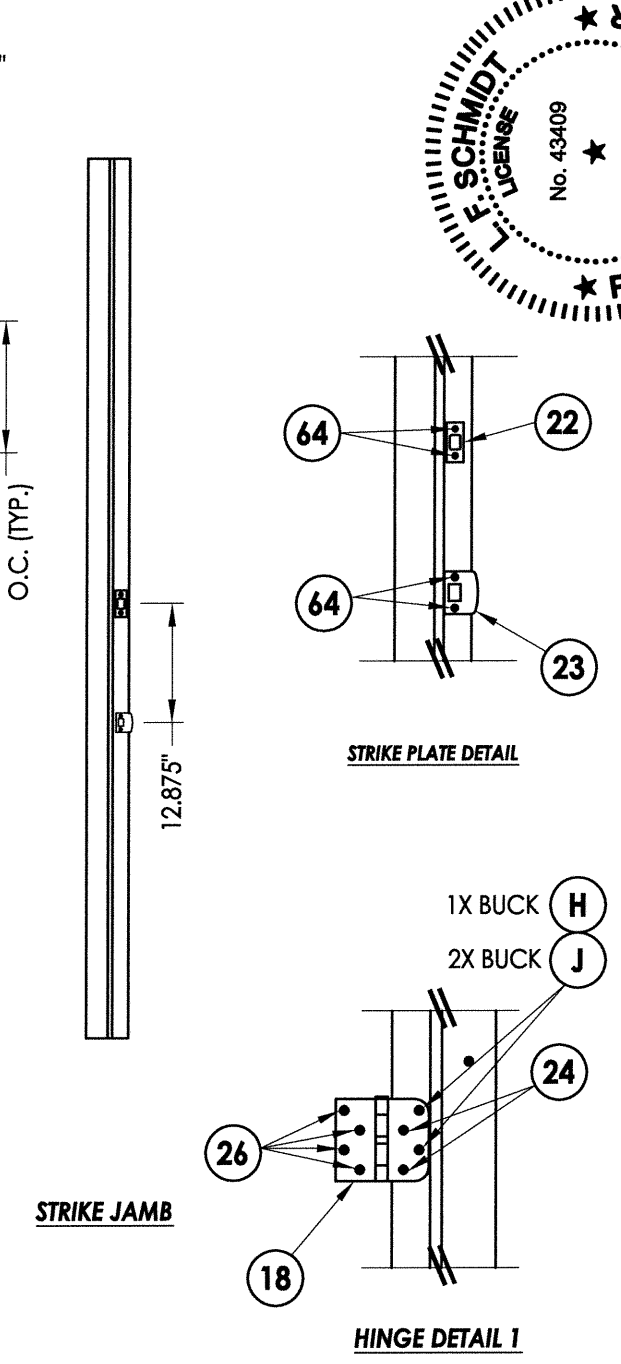
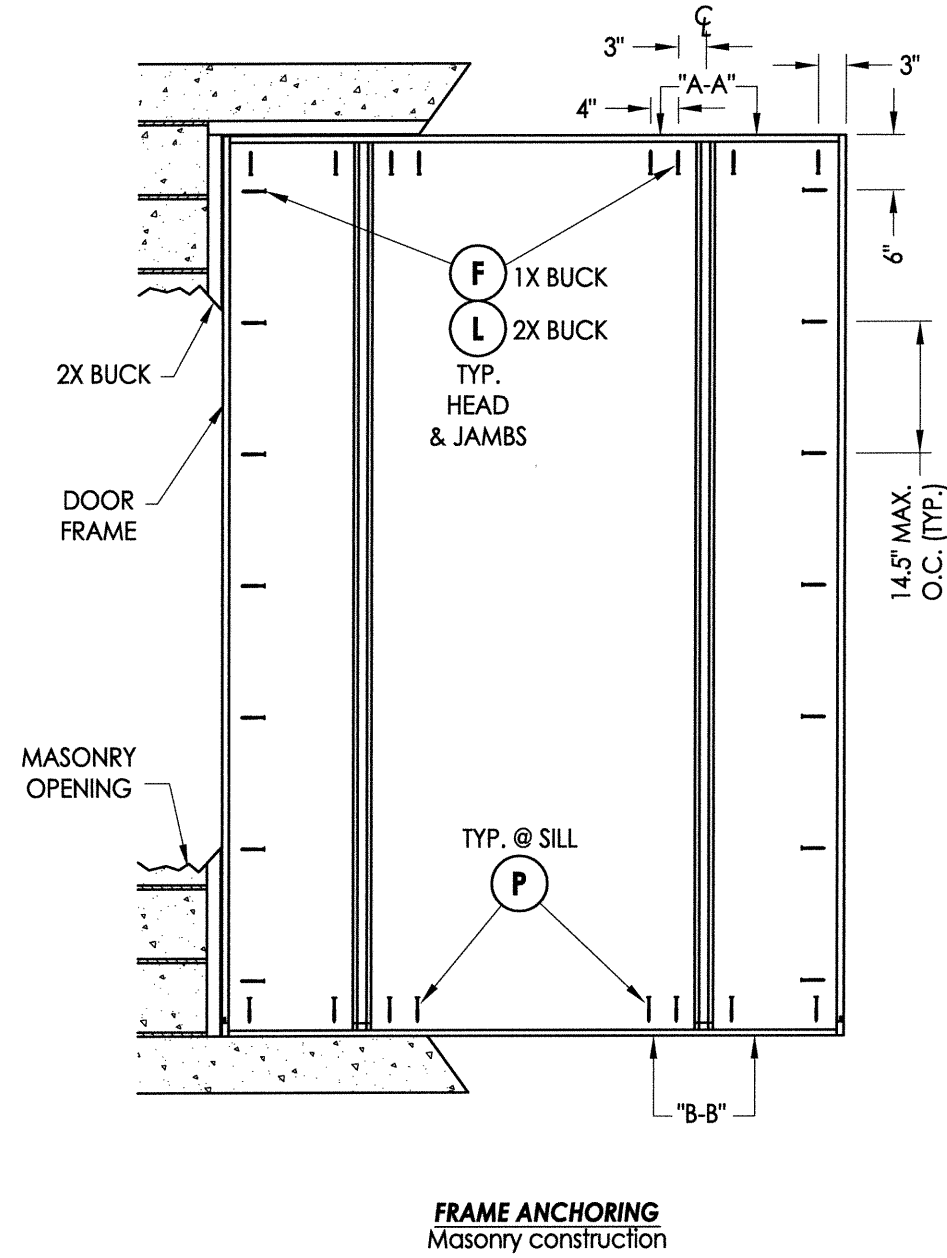
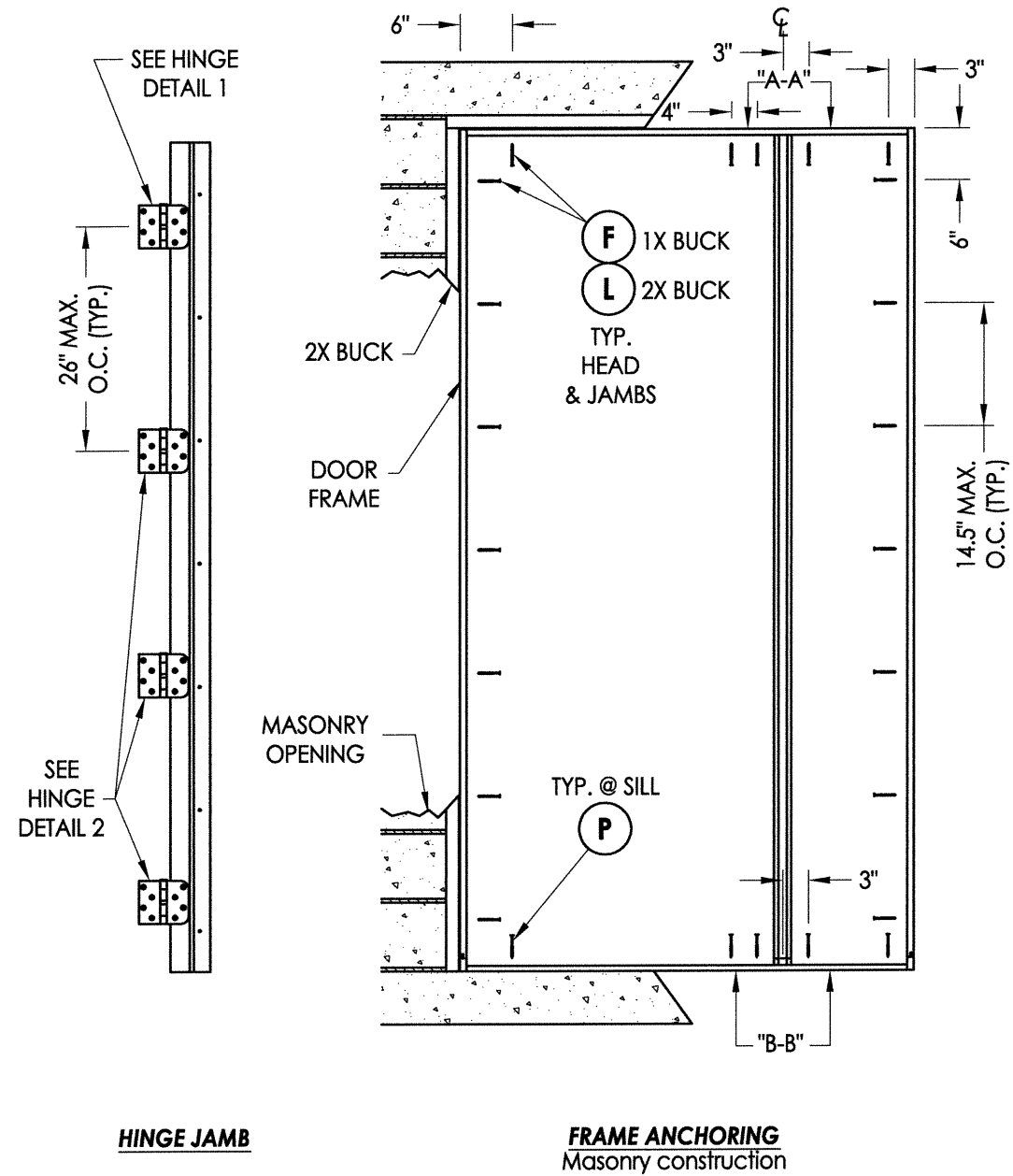
DWG. BY: JK

CHK. BY: LFS

DRAWING NO.: FL-15129.14

SHEET 8 OF 11





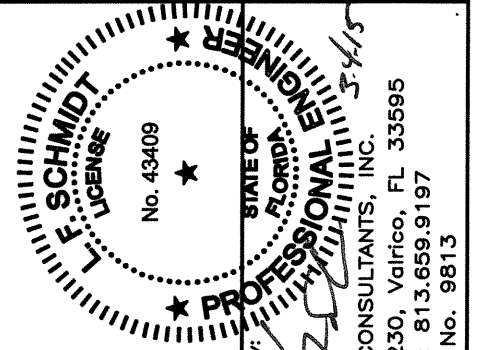
**CONCRETE ANCHOR NOTES:**

1. Concrete anchor locations at the corners may be adjusted to maintain the min. edge distance to mortar joints.
2. Concrete anchor locations noted as "MAX. ON CENTER" must be adjusted to maintain the min. edge distance to mortar joints, additional concrete anchors may be required to ensure the "MAX. ON CENTER" dimension are not exceeded.
3. Concrete anchor table:

ANCHOR TYPE	ANCHOR SIZE	MIN. EMBEDMENT	MIN. CLEARANCE TO MASONRY EDGE	MIN. CLEARANCE TO ADJACENT ANCHOR
ITW BUILDEX TAPCON®	3/16"	1-1/4"	3"	1-1/2"
	1/4"	1-1/4"	2"	4"
ELCO ULTRACON®	1/4"	1-1/4"	1"	4"

**WOOD SCREW INSTALLATION NOTES:**

1. Maintain a minimum 5/8" edge distance, 1" end distance, & 1" o.c. spacing of wood screws to prevent the splitting of wood.

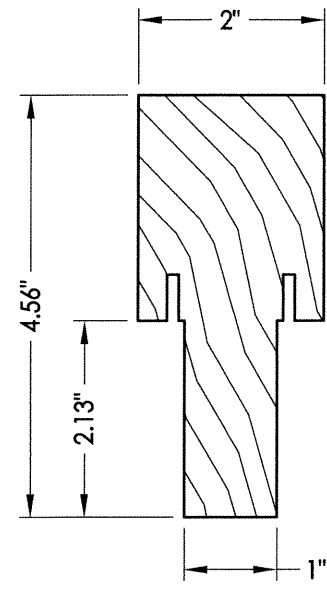


Documents Prepared By: Lyndon F. Schmidt  
 P.E. No. 43409  
 R.W. BUILDING CONSULTANTS, INC.  
 P.O. Box 230, Valrico, FL 33595  
 Phone No.: 813.659.9197  
 FBPE C.A. No. 9813

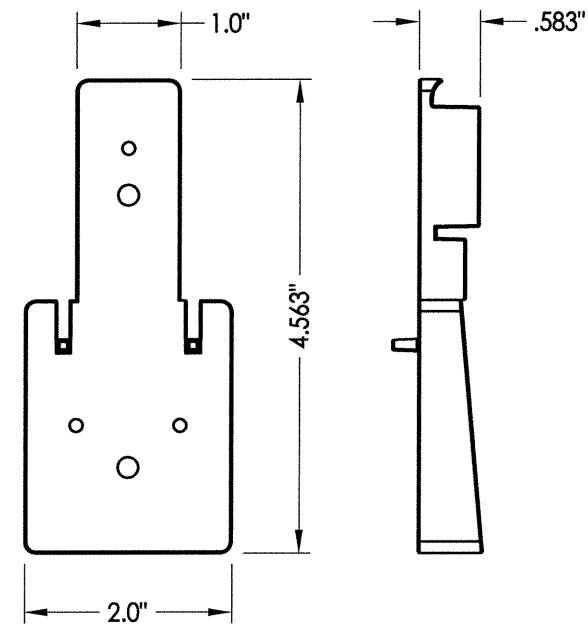
PRODUCT:	TRINITY GLASS INT'L	
PART OR ASSEMBLY:	FRAME ANCHORING	
NO.	DATE	BY
1	03/02/15	JK
REVISIONS		
UPDATE TO 5TH ED. (2014) FBC		

DATE: 1/18/12  
 SCALE: N.T.S.  
 DWG. BY: JK  
 CHK. BY: LFS  
 DRAWING NO.: FL-15129.14  
 SHEET 9 OF 11

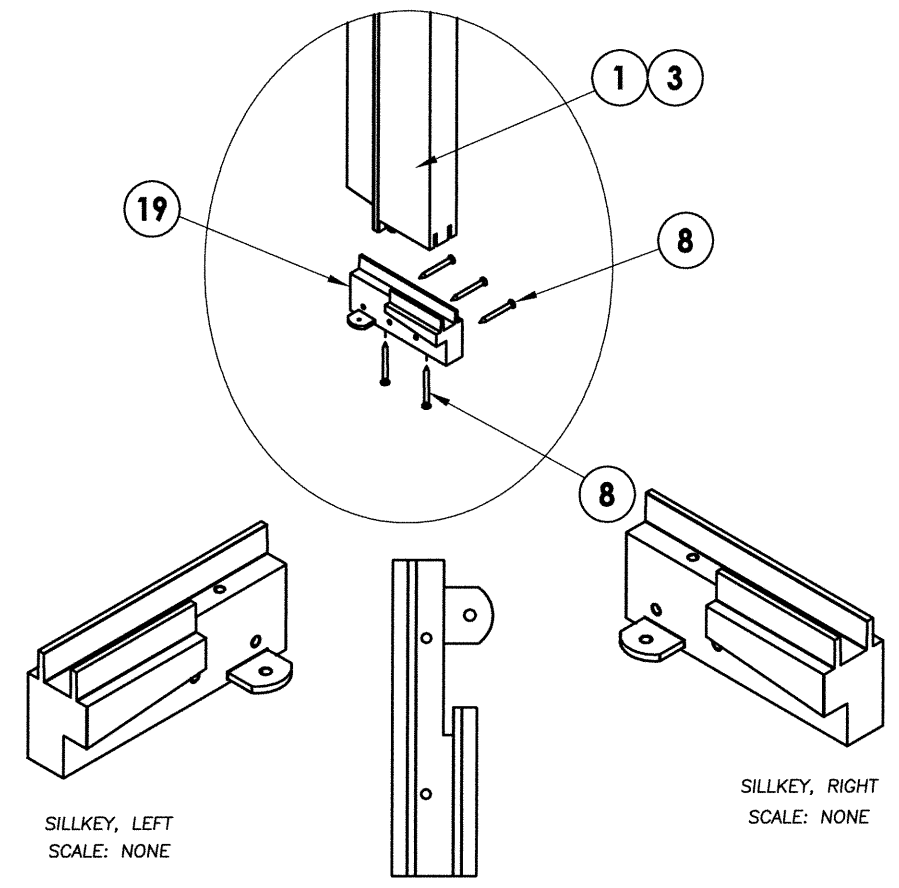
R:\Clients\Trinity PERMANENT\Florida Product Approvals\FL-15129\Drawings\Current\FL-15129.13-20.dwg, 10.14



**67 INTEGRAL MULLION**

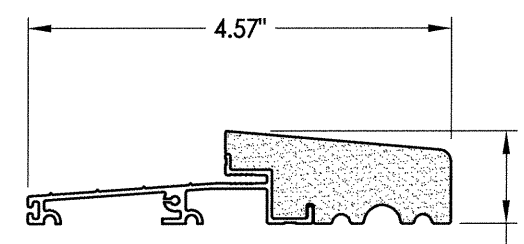


**69 MULLION BASE KIT**  
Optional

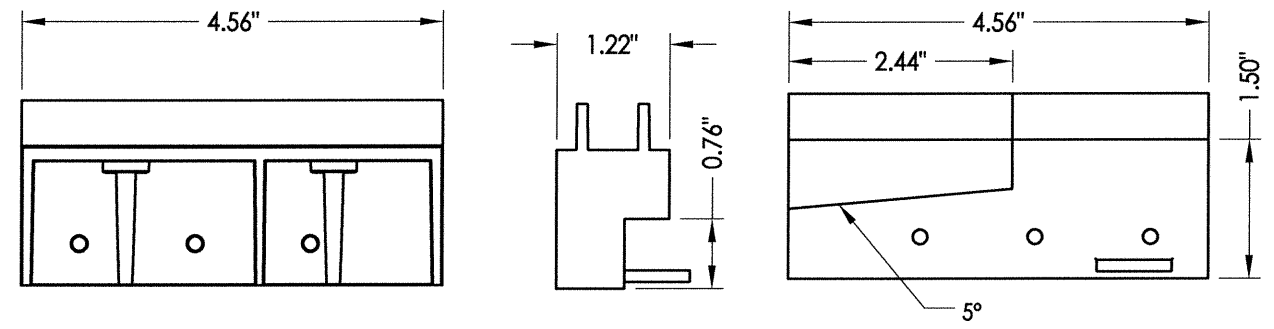


SILLKEY, LEFT  
SCALE: NONE

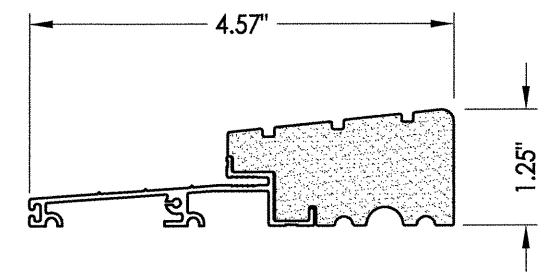
SILLKEY, RIGHT  
SCALE: NONE



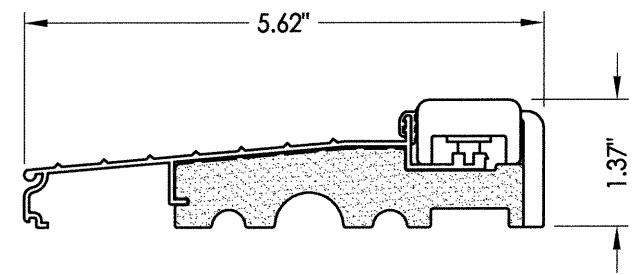
**27 OUTSWING THRESHOLD**



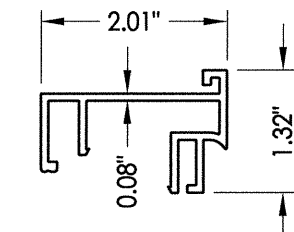
**19 SILLKEY DETAILS**  
Optional



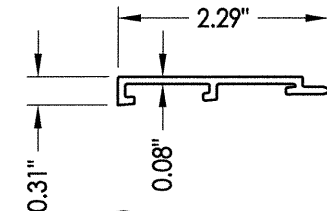
**25 OUTSWING THRESHOLD**  
High-dam option



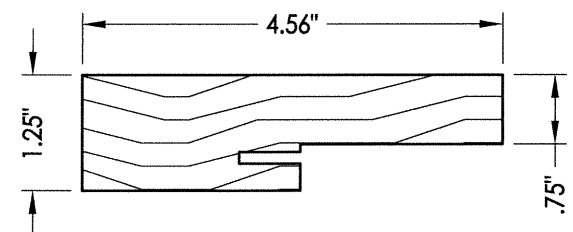
**5 INSWING THRESHOLD**



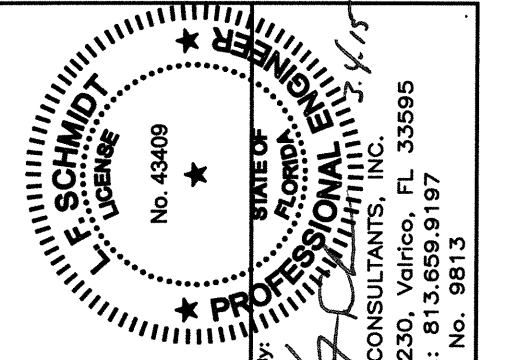
**61 SIDELITE SPACER**  
Inswing



**60 SIDELITE SPACER**  
Outswing



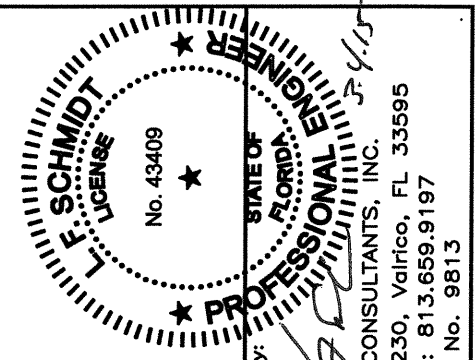
**4 3 1 SIDE & HEAD JAMBS**



Documents Prepared By:  
Lyndon F. Schmidt  
P.E. No. 43409  
R.W. BUILDING CONSULTANTS, INC.  
P.O. Box 230, Valrico, FL 33595  
Phone No.: 813.659.9197  
FBPE C.A. No. 9813

PRODUCT: TRINITY GLASS INT'L	
PART OR ASSEMBLY: COMPONENTS	
NO.	DATE
1	03/02/15
UPDATE TO 5TH ED. (2014) FBC	
JK	BY
REVISIONS	
DATE: 1/18/12	
SCALE: N.T.S.	
DWG. BY: JK	
CHK. BY: LFS	
DRAWING NO.: FL-15129.14	
SHEET 10 OF 11	

BILL OF MATERIALS		
ITEM #	DESCRIPTION	MATERIAL
A	1X BUCK SG >= 0.55	WOOD
B	2X BUCK SG >= 0.55	WOOD
C	1/4" MAX. SHIM SPACE	-
D	1/4" X 2-3/4" PFH ELCO OR ITW CONCRETE SCREW	STEEL
E	MASONRY - 3,000 PSI MIN. CONCRETE CONFORMING TO ACI 301 OR HOLLOW BLOCK CONFORMING TO ASTM C90	CONCRETE
F	1/4" X 3-3/4" ITW PFH CONCRETE SCREW	STEEL
H	3/16" X 3-1/4" ITW PFH CONCRETE SCREW	STEEL
J	#9 X 2-1/4" PFH WS	STEEL
L	#8 X 2-1/2" PFH WS	STEEL
P	1/4" X 2-3/4" ITW PFH CONCRETE SCREW	STEEL
1	STRIKE JAMB - FINGER-JOINT PINE - SG >= 0.42	WOOD
3	HINGE JAMB - FINGER-JOINT PINE - SG >= 0.42	WOOD
4	HEAD - FINGER-JOINT PINE - SG >= 0.42	WOOD
5	INSWING THRESHOLD ALUMINUM W/ COMPOSITE SUBSTRATE	ALUMINUM
6	DOOR BOTTOM SWEEP	PVC
8	#6 X 1-1/4 PFH DRYWALL SCREW	STEEL
9	#9 X 2-1/4" PFH SMS	STEEL
12	WEATHER STRIP QEBD650 Q-LON	-
18	3.983" X 4.0" HINGE MIN 0.098" THICK	STEEL
19	SILLKEY	PC/ASA
22	DEADBOLT STRIKE PLATE	STEEL
23	LATCH STRIKE PLATE	STEEL
24	#9 X 5/8" PFH WS	STEEL
25	OUTSWING HIGH-DAM THRESHOLD ALUMINUM W/ COMPOSITE SUBSTRATE	ALUM./ COMP.
26	#9 X 1.0" PFH WS	STEEL
27	OUTSWING THRESHOLD ALUMINUM W/ COMPOSITE SUBSTRATE	ALUM./ COMP.
40	DOOR PANEL - SEE DOOR PANEL DETAIL SHEET FOR CONSTRUCTION DETAILS	-
41	SIDELITE PANEL - SEE SIDELITE PANEL DETAIL SHEET FOR CONSTRUCTION DETAILS	-
60	SIDELITE SPACER - OUTSWING	PVC
61	SIDELITE SPACER - INSWING	PVC
62	QUARTER ROUND	WOOD
63	#8 X 2-1/4" PFH WOOD SCREW	STEEL
64	#8 X 2" PFH WOOD SCREW	STEEL
67	INTEGRAL MULLION - FINGER JOINT PINE (SG >= 0.42)	WOOD
69	MULLION BASE KIT	PC/ASA



Documents Prepared By:  
 Lyndon F. Schmidt  
 P.E. No. 43409

*RW*  
 BUILDING CONSULTANTS, INC.  
 P.O. Box 230, Valrico, FL 33595  
 Phone No.: 813.659.9197  
 FBPE C.A. No. 9813

PRODUCT: TRINITY GLASS INT'L

PART OR ASSEMBLY: BILL OF MATERIALS

NO.	DATE	BY	JK
1	03/02/15	JK	BY
UPDATE TO 5TH ED. (2014) FBC			

DATE: 1/18/12

SCALE: N.T.S.

DWG. BY: JK

CHK. BY: LFS

DRAWING NO.: FL-15129.14

SHEET 11 OF 11